

# Record the movement locus of small fish

**Application:** Record the movement locus of small fish

**Requirement:**

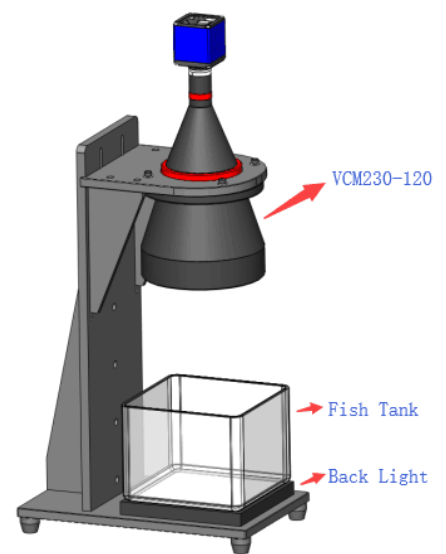
- Fish size: 5-20mm.
- Container size: about 200 mm in diameter.
- Light source is 850nm or 940nm near infrared light.

**NEW TRY Products:** Bi-telecentric lens VCM110-150 + banding LED lighting(IR 850nm)

- F Mount Bi telecentricity;
- <0.1% distortion;

**Camera:** Basler-acA2040-90um NIR, 1", 5.5um

- Resolution (H x V) 2448x2050px



**Test conclusion:**

- Accuracy: Depending on different cameras resolution and image areas. 122.4mm × 102.5mm<50um with 2448\*2050 pixels.
- Performance: Clear image, nearly 0 distortion.
- Test image: Achieved image with high definition and great uniformity.

